



QDD60TS-C

Electric Tractor 6.0t

Super Towing Capacity, Highly-efficient Performance;
Sit-down Operation, Comfortable & Safe.

EP EQUIPMENT CO.,LTD
www.ep-ep.com

FEATURE

Performance

- AC Traction system, big torque, strong grade ability, powerful traction, can overcome all the uneven working condition.
- AMP connector and durable electric wires greatly reduce malfunctions of components.



Safety

- Seat switch avoids wrong operation.
- Automatic braking and reverse current braking when foot switch is off or travel switch is neutral.
- Emergency disconnecter will cut off power source to avoid accident when truck goes out of control.
- Water& dust-proof cover under traction motor can effectively extend motor life.
- Hydraulic brake, reverse current brake and mechanical brake.

Operation

- Clear layout and spacious driving room.
- Seat with suspension, more comfortable.
- Steering wheel could be adjustable with big angles to meet operator's needs.
- Big pedal & long support arm makes it comfortable & safe.
- The layout of steering wheel, brake, foot pedal, and other instruments are the same as the electric forklift, which makes it convenient to operate.
- Button at the rear of tractor allows coast travel.

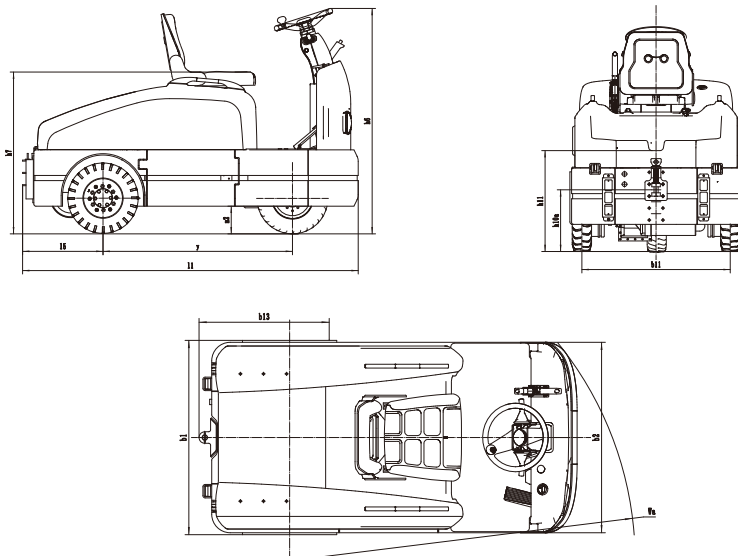
Maintenance

- AC traction motor, maintenance free.
- Hour meter and battery indicator will remind the operator of battery charging.
- Easily remove the back cover by only losing four bolts; Easy access for maintenance.
- Control system allows easy trouble-shooting.
- Low voltage lift cut off design protects the battery.

Electric tractor 6.0t QDD60TS-C

Characteristics			
1.1	Manufacturer		EP
1.2	Model designation		QDD60TS-C
1.3	Drive unit		Electric
1.4	Type of operation		standing
1.5	Load capacity	Q	kg 6000
1.6	Rated drawbar pull	F	N 1200
1.7	Wheelbase	y	mm 1110
Weights			
2.1	Service weight		kg 1150
2.2	Axle loading, unladen front/ rear		kg 500/650
Wheels, Chassis			
3.1	Tyre type		solid rubber
3.2	Tyre size, front		4.00-8
3.3	Tyre size, rear		4.00-8
3.4	Wheels, number front/ rear (x=drive wheels)		1/2x
3.5	Tread, rear	b ₁₁	mm 869
Dimensions			
4.1	Height of overhead guard (cabin)	h ₆	mm 1320
4.2	Seat height	h ₇	mm 947
4.3	Tow coupling height	h _{10ab}	mm 361(221/291/431)
4.4	Approach angle	α	°
4.5	Departure angle	β	°
4.6	Rear overhang	l ₅	mm 471
4.7	Loading platform, width	b ₉	mm 700
4.8	Overall length	l ₁	mm 1966
4.9	Overall width	b ₇ /b ₂	mm 1010/990
4.10	Ground clearance, center of wheelbase	m ₂	mm 150
4.11	Outer turning radius	Wa	mm 1850
4.12	Inner turning radius	b ₁₃	mm 677
Performance			
5.1	Travel speed, laden/ unladen		km/h 7/17
5.2	Maximum drawbar pull, laden/ unladen S ₂ 5 min.		N 4500
5.3	Gradeability, laden/unladen S ₂ 30		%
5.4	Maximum gradeability, laden/ unladen S ₂ 5 min.		% 5/20
5.5	Service brake		Hydraulic/ Mechanical
5.6	The Mileage Covered by a Single Charging Process		km 60
Drive			
6.1	Drive motor rating S ₂ 60 min.		kW 6
6.3	Battery voltage/ rated capacity (5h)		V/Ah 48/275
6.4	Battery weight		kg 506
6.5	Battery dimensions l/ w/ h		mm —
Others			
7.4	Sound level at operator's ear		dB(A) 70
7.5	Tow coupling		Bolt type

- 1.The parameters in the table are of the standard model. For more information, please contact us.
- 2.The parameters are subject to change without notice.



Option

Option	QDD60TS-C
Driving wheel	—
Warning light	○
Front light	—
Steering light	—
Battery capacity	○325AH
Potted cockpit	○
semi-closed cockpit	○
Lateral change battery	○
Side to pull the car	○

● standard ○ Option